



Elmich VGM[®] Green Wall

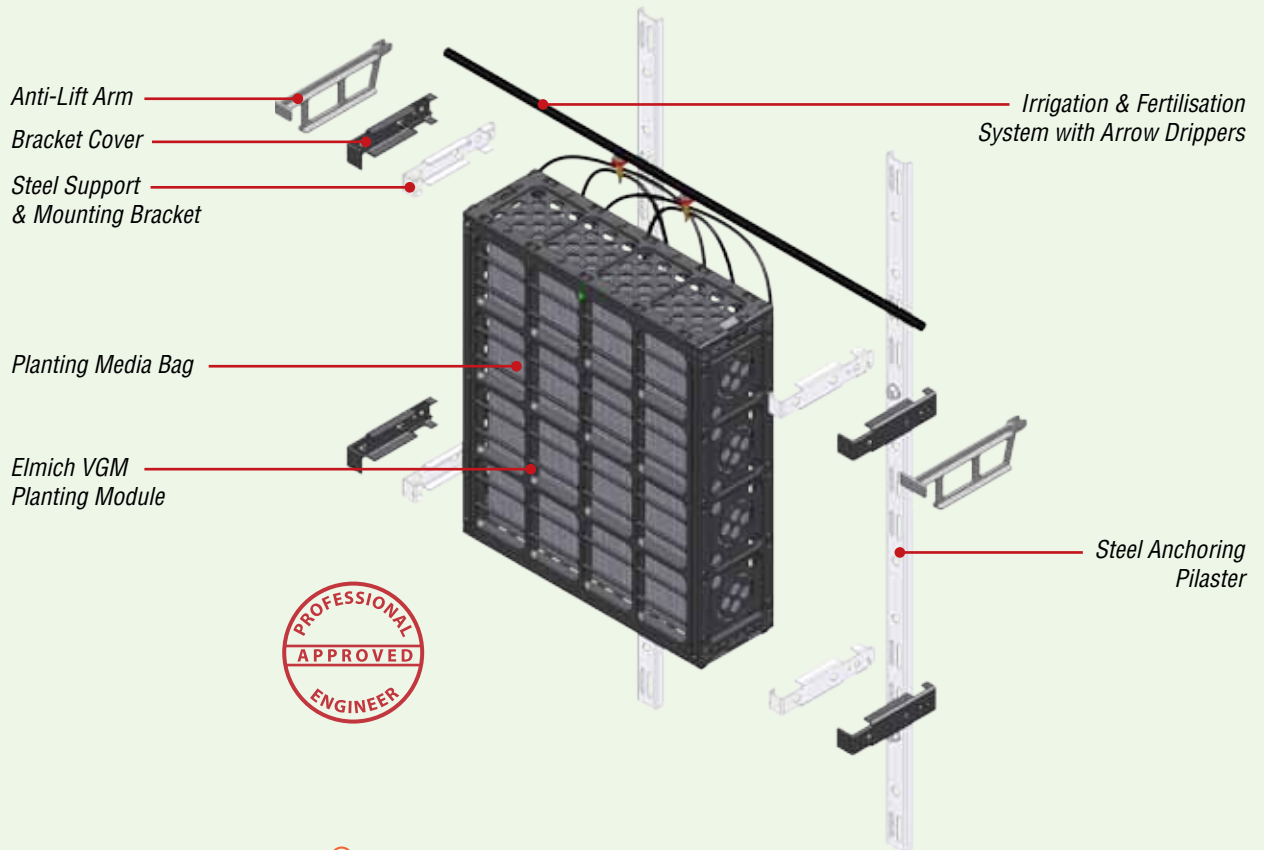
Modular Living Wall System



Solutions for Sustainable Urban Development

Elmich VGM[®] Green Wall

Elmich VGM[®] Green Wall offers architects and developers a complete and durable solution for turning heat-absorbing and often dull and monotonous walls into cool and attractive living green walls that assimilate easily into a natural or garden environment. It protects a building from the harmful effects of sunlight and UV exposure and provides an insulating barrier against noise and extreme temperatures.



What is Elmich VGM[®] Green Wall

Elmich VGM[®] Green Wall is a robust architectural living wall system comprising VGM[®] planting boxes each with a planting media bag, planting media, support brackets with covers, anti-lift arms and automated drip irrigation-cum-fertilization (fertigation) and anchoring pilaster systems.

Installation of VGM[®]



Completed Installation



Mature Elmich VGM[®] Green Wall



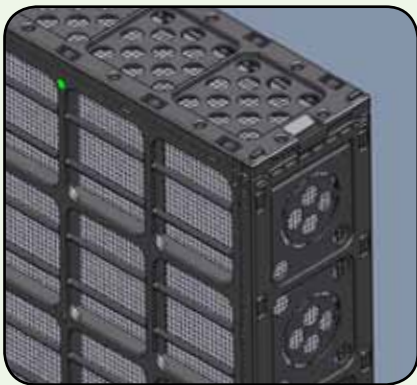


Indoor and Outdoor Green Walls

DISTINCTIVE FEATURES

All-Around Planting

VGM® design minimizes module warping and media bag bulging. Optional cut-away side openings enable all-around planting when required. Top panel is easily opened and closed.



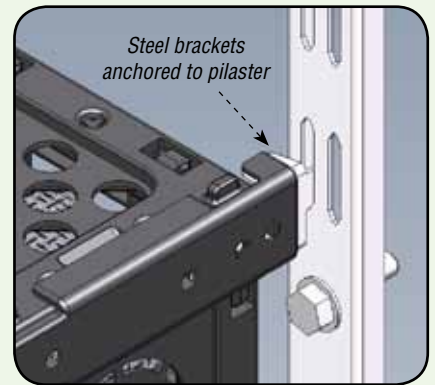
Pre-Planting

VGMs pre-planted and nurtured off-site allow the plants to take root and be orientated to a vertical environment. This enables a mature living wall to be established soon after installation.



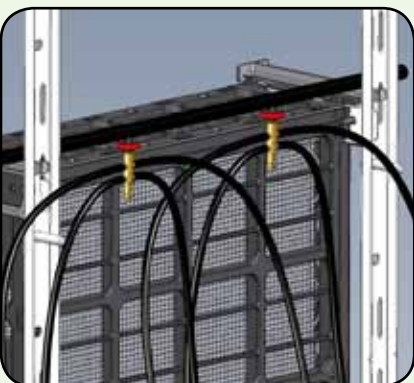
Securing System

Each VGM® is secured by 4 steel brackets and anchored to steel pilasters. Pilasters require minimal penetrations of the supporting wall and enables easy mounting and dismantling of the VGMs.



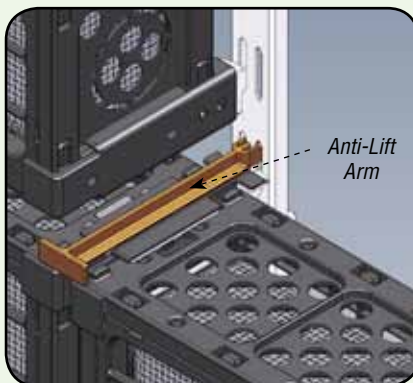
Fertigation System

Automated fertigation system with multiple arrow drippers inserted into the planting medium deliver water and fertilizers directly at constant pressure to the plant roots.



Anti-Lift Arm

The steel brackets and pilasters are engineered to a high safety standard and are especially suited on high walls. Locking arms prevent the VGM® lifting off the pilasters.



Planting Media

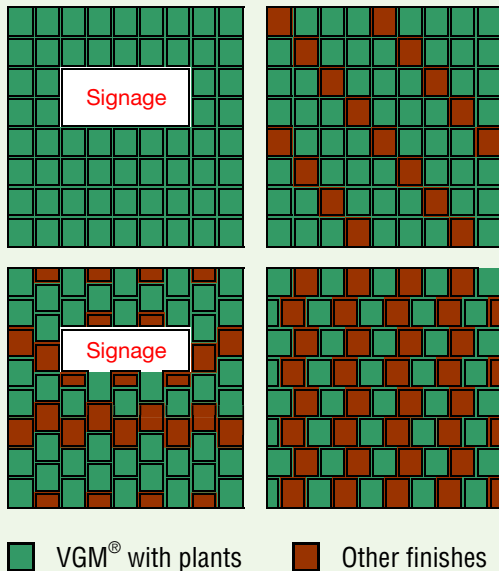
Predominantly lightweight inorganic planting medium resists slumping. Large media volume and proprietary additives allow use of a wide variety of plants and ensures its sustainability.



Advantages

- Lightweight and modular
- Robust and easy to assemble
- Easy mounting, dismounting and re-mounting of modules
- Easy plant replacement or design change and maintenance
- Wider plant selection with variable media depth and volume
- 40mm gap between modules and the wall
- Space for concealed drip irrigation facilities
- Efficient and cost effective compared to other systems
- Modules pre-planted in nursery before installation
- Module arrangement and design can be predetermined off-site
- Modules are made from 100% recycled plastics
- Supports Green Building Certification

Modular design allows for different green wall layouts with other finishes such as timber, stone and signage. E.g



Specifications

VGM

Size

- actual (mm) 560 (H) x 480 (W) x 150 (D)

- nominal (mm) 600 (H) x 500 (W) x 150 (D)

Internal volume (l)

~26

Weight

- with media & plants (kg) ~30

Material

Polypropylene

Colour

Black

Mounting System

Material

Stainless Steel 304/316

Support Brackets

4

Pilaster length (m)

0.6, 1.2 and 2.4

Max. load (kg/m²)

up to 1000



Orchard Central Mall Roof Garden, Singapore (Winner of Skyrise Greenery Award 2009)

Note: The information provided in this brochure is based on current knowledge and experience and does not infer any legally binding assurance or warranty, expressed or implied. Intending purchasers should verify whether any changes to specifications or applications or otherwise have been made since the issue of this literature. Environmental-friendly recycled materials are used wherever possible and physical product properties including colour may differ due to source of raw materials used. Colour may also fade due to UV exposure. All components of the product are designed for specific application, design calculations and any variation and/or deviation therefrom shall be the responsibility of the Specifier and/or User.

Distributed by:



Singapore: +65 6356 2800

info@elmich.com

www.elmich.com



Strategic Partner of:

